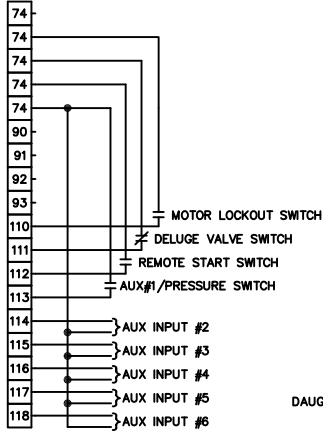
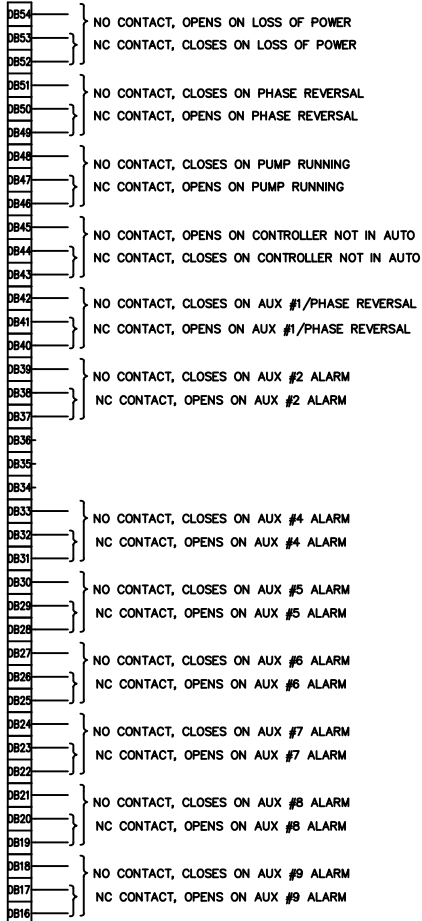


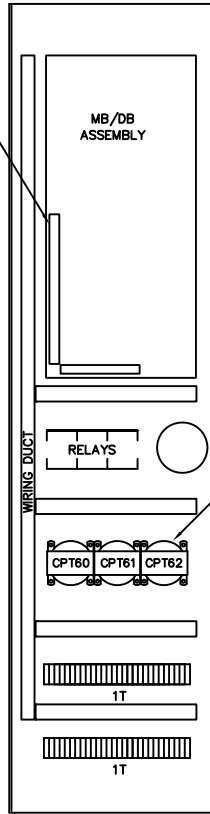
1T*
FIELD
TERMINALS



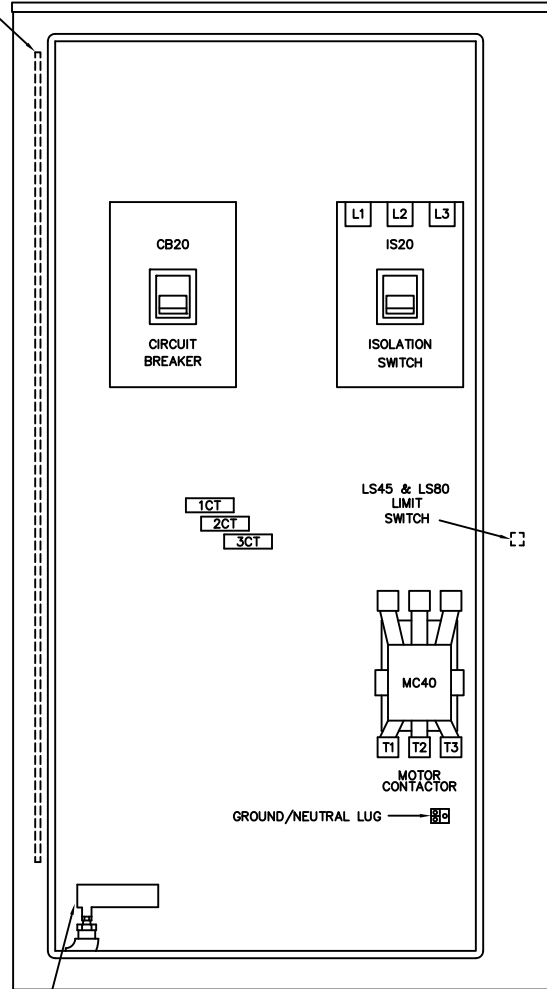
DAUGHTERBOARD
TERMINALS



LOCATION OF
SIDE MOUNTED
RELAY PANEL
SEE DETAIL A



DETAIL A
SIDE MOUNTED
RELAY PANEL



MAXIMUM MOTOR HORSEPOWER	VOLTS AC					PRIMARY WIRE SIZE	
	200V	208V	220V - 240V	380V - 415V	440V - 480V	LINE TERMINAL WIRE SIZE PER PHASE	SERVICE ENTRANCE GROUND LUG WIRE SIZE
250 HP	250 HP	250 HP	400 HP	500 HP	(3) #3/0-400 MCM	(2) #6-250 MCM	
		300 HP		600 HP	(4) #4/0-500 MCM	(2) #6-250 MCM	

- NOTES:
1. FIELD TERMINALS ACCEPT COPPER WIRE ONLY RATED 90°C OR HIGHER
2. FIELD TERMINALS ARE LOCATED AT THE LEFT SIDE AND BOTTOM OF THE DAUGHTER BOARD

DB30 INDICATES DAUGHTERBOARD TERMINAL

DRAWN	RA	11-11-04	METRON A Division of Hubbell ICD, Inc. 4301 Cheyenne Dr., Archdale, NC 27263
CHECK	SB	11-30-04	
APPD	ML	12-02-04	
INTERNAL LAYOUT & EXTERNAL HOOKUP MODEL MP300 ELECTRIC FIRE PUMP CONTROLLER			OPTIONS: CH33758D SCALE SHEET 1 OF 1